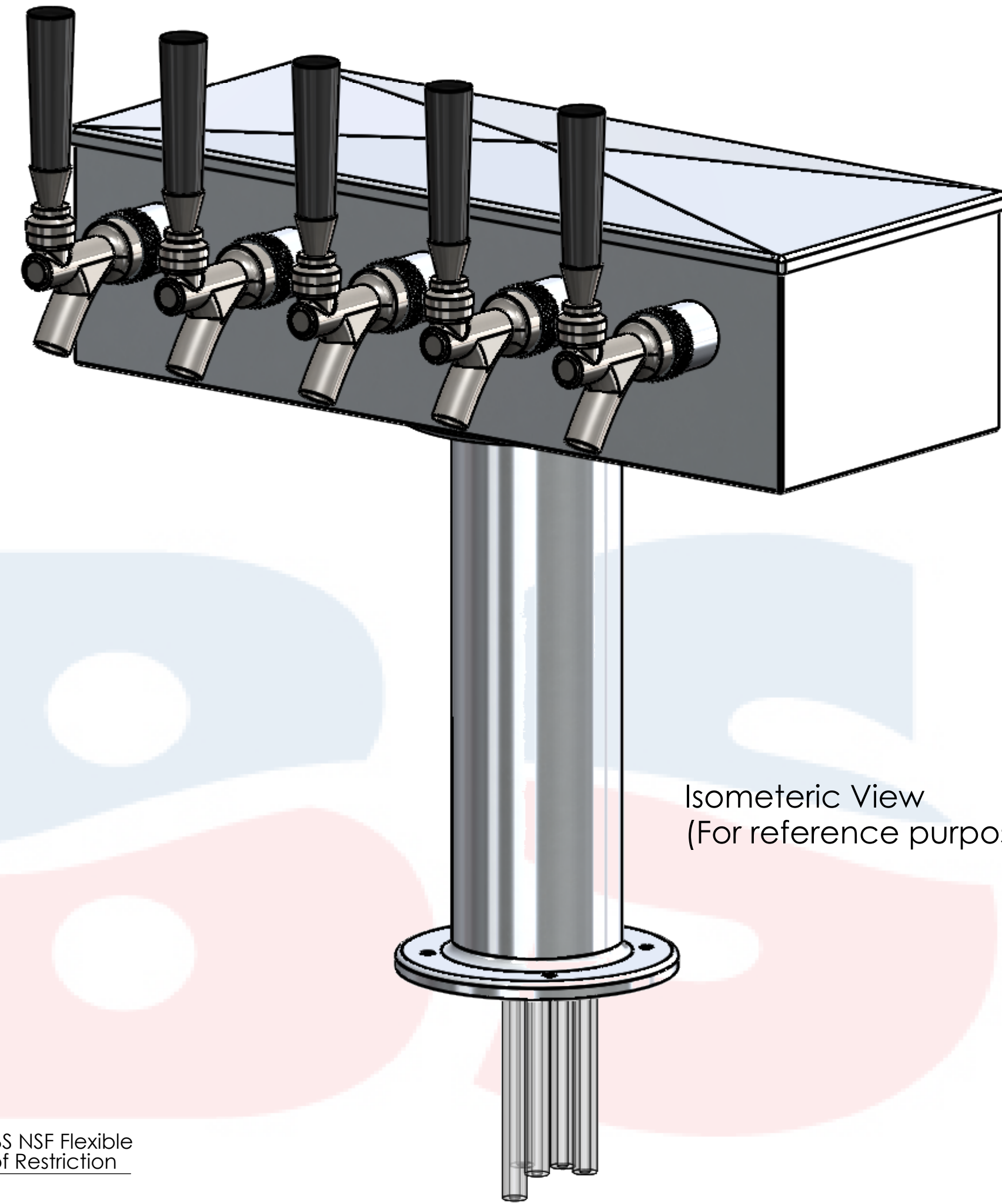
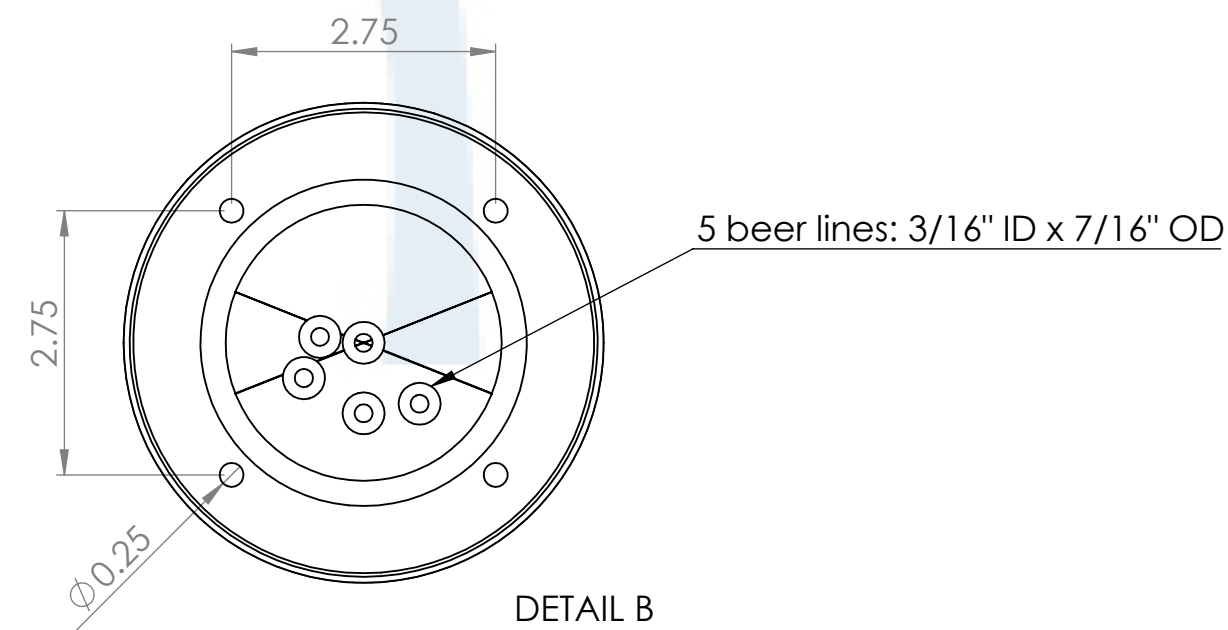
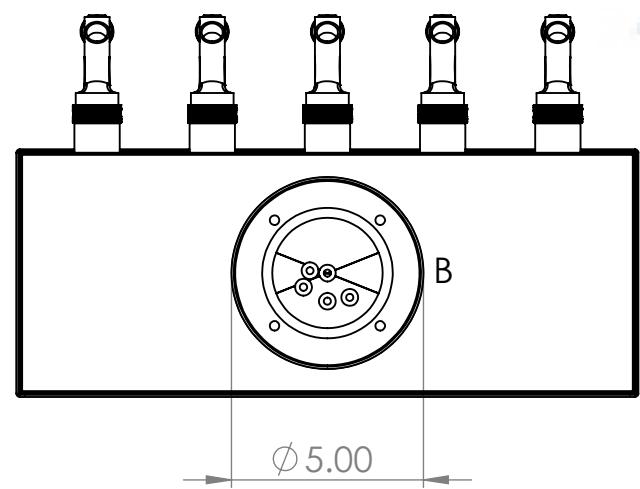


304SS tube connected to CBS NSF Flexible Total Barrier Tubing to 15lbs of Restriction



Isometric View  
(For reference purpose only)



DETAIL B  
SCALE 1 : 2

Suggested Drip Tray:  
BB701316 - 16" x 7" BSS Drip Tray  
BB702416 - 16" x 7" BSS Spray Drip Tray



Name		Date	Title:	
Drawn by:	Canadian Beverage Supply Inc.	07/13/2020	5 TAP 3" T - TOWER	
Approved by:	VP Sales		Part Number:	Revision:
Material:	304 SS	Finish:	Brushed SS	BB102010-05
Unless otherwise mentioned, dimensions are inches			SCALE:	SHEET 1 OF 1
			1:5	